

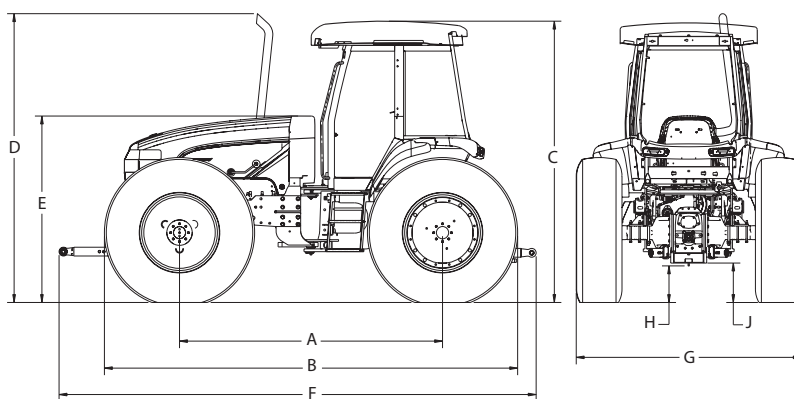
Specifications

MODEL	TV6070
Rated PTO power, HP (kw)	105 (78)
Engine	
Make/model	FPT
Type	6-cylinder parent bore diesel
Fuel Injection	Bosch mechanical pump, direct injection
Bare engine power, HP (kw)	155 (116)
Rated speed, RPM	2,200
Idle speed, RPM	850-950
Displacement, cu. in. (L)	6 / 411 (6 / 6.7)
Aspiration	Turbocharged/air-air intercooled
Air cleaner	Dual element dry with aspirated spin tube precleaner
Cold start aids	Grid heater/coolant block heater
Bio diesel compatibility	Up to 100%
Electrical	
Type	12v negative ground
Batteries	Two group 31 low maintenance
Cold start rating, each, CCA	950
Alternator, amps	120
Transmission	
Type	Multi-range closed-loop hydrostatic
Pump	Variable displacement, mechanical operator control
Motor	Electronically controlled 8-range variable displacement
Ground speeds in ranges, MPH (KPH)	
1	0 to 6.7 (10.8)
2	0 to 7.7 (12.4)
3	0 to 8.3 (13.4)
4	0 to 9.1 (14.6)
5	0 to 10.3 (16.6)
6	0 to 11.6 (18.7)
7	0 to 16.2 (26.0)
8	0 to 19.5 (31.4)
Braking	Dynamic braking by moving lever to neutral position
Axles and Brakes	
Axle type	HD flange with inboard planetary reduction
Differential lock, cab end	Standard
Differential lock, engine end	Optional
Oscillation, degrees	10
Brake type	Wet disc in cab-end axle, hydraulic actuation
Total brake area, in. ² (cm ²)	507 (3271)
Parking brake	Cable actuation of service brakes
PTO Systems	
Type	Mechanical 540/1000 RPM
Shafts	Interchangeable 1 3/8" diameter
Locations:	
cab end	Standard
engine end	Optional
Engagement	Electro-hydraulic

MODEL	TV6070
Hydraulic Systems	
Standard system-type	CCLS with piston pump
Type	CCLS with piston pump
Total flow @ 2200 engine RPM, GPM (LPM)	29.5 (111)
Pressure compensator, PSI (Bar)	3,000 (207)
Remote valves-standard cab end	3
In-cab flow controls	3
Valve actuation	Hand levers, foot pedals
Remote valves-optional engine end	2
Valve actuation	Hand levers
Couplers	1/2" ISO, 2 for each valve
Optional auxiliary hydraulics	
Type	CCLS with piston pump; electronic flow control
Maximum flow	
@ 2200 engine RPM, GPM (LPM)	35 (133)
Pressure compensator, PSI (Bar)	4350 (300)
Couplers	3/4" ISO, with 1/2" case drain
3-Point Hitches	
Type	Category II, flex link ends and sway links
Controls	Electronic position control, auto and manual modes
Standard cab end	
Lift capacity @ 24" behind links, lbs. (kg)	6,500 (2950)
Optional cab end	
Lift capacity @ 24" behind links, lbs. (kg)	8,700 (3950)
Optional engine end	
Lift capacity @ 24" behind links, lbs. (kg)	4,000 (1800)
Steering	
Type	Hydrostatic power
Articulation angle	45 degrees maximum
Curb clearance circle ft. in. (m)	32' 10" (10.0)
Cab	
Type	2-Door ROPS/FOPS
Tinted safety glass, area, ft ² (m ²)	61 (5.67)
Climate control	Pressurizer, heater/defroster, air conditioning
Fan	3-speed
Seat	Air suspension, 7 comfort adjustments
Turnabout™ console	210 degree rotation to face either driving direction
Drawbars	
Type	3-position adjustable, swinging
Cab end	Standard
Engine end	Optional
Refill Capacities	
Fuel tanks, gal. (L)	55 (208)
Engine oil, gal. (L)	5 (19)
Engine coolant, gal. (L)	7.25 (27)
Hydraulic system/rear axle, gal. (L)	13.5 (51)
Front axle, gal. (L)	6.5 (25)

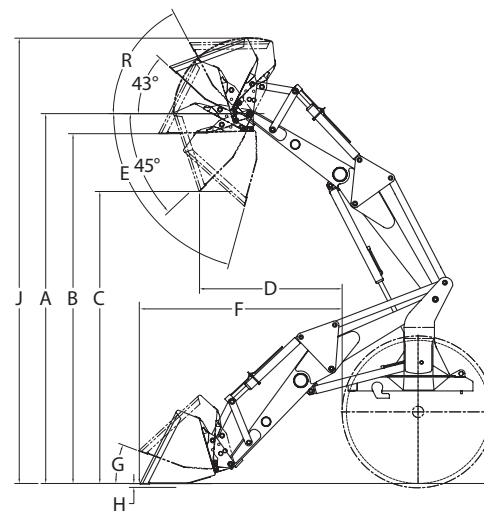
KEY TV6070 DIMENSIONS*

A	Wheelbase, in. (mm)	118.1 (3000)
B	Length over tires, in. (mm)	183.9 (4670)
C	Overall length, in. (mm)	214.2 (5440)
D	Exhaust stack height, in. (mm)	125.6 (3190)
E	Hood height, in. (mm)	81.1 (2060)
F	Cab height, in. (mm)	123.2 (3130)
G	Width over tires, in. (mm)	99.6 (2530)
H	Clearance to drawbar pin, in. (mm)	14.3 (362)
J	Clearance to drawbar hanger, in. (mm)	14.8 (376)



KEY LOADER DIMENSIONS

KEY	LOADER DIMENSIONS	82LB*	84LB*
A	Maximum lift height to Pivot Pin, in. (mm)	143.8 (3652)	157.8 (4008)
B	Maximum lift height under level bucket, in. (mm)	135.4 (3439)	148.8 (3780)
C	Clearance with bucket dumped, 45 degree, in. (mm)	110.3 (2802)	123.8 (3144)
D	Reach (from tire), max lift height, bucket 45 degree, in. (mm)	41.7 (1059)	61.7 (1567)
E	Maximum dump angle	60°	75°
F	Reach with bucket on ground, in. (mm)	90 (2285)	122 (3105)
G	Maximum rollback angle	28°	20°
H	Digging depth, in. (mm)	3.2 (81.2)	4.2 (106.6)
J	Maximum bucket height (standard bucket), in. (mm)	176.1 (4470)	190.1 (4830)
R	Rollback angle at full height	40°	62°
	Lift capacity to max height at pivot, lbs.	6,400	6,150
	Lift capacity to max height 31.5 in. ahead of pivot, lbs.	4,050	4,400
	Bucket rollback force at ground 31.5 in. ahead of pivot, lbs.	6,440	12,000



*Values assuming GoodYear Versa Torque 480/85R34 tires and 1.5 cu.yd. bucket

